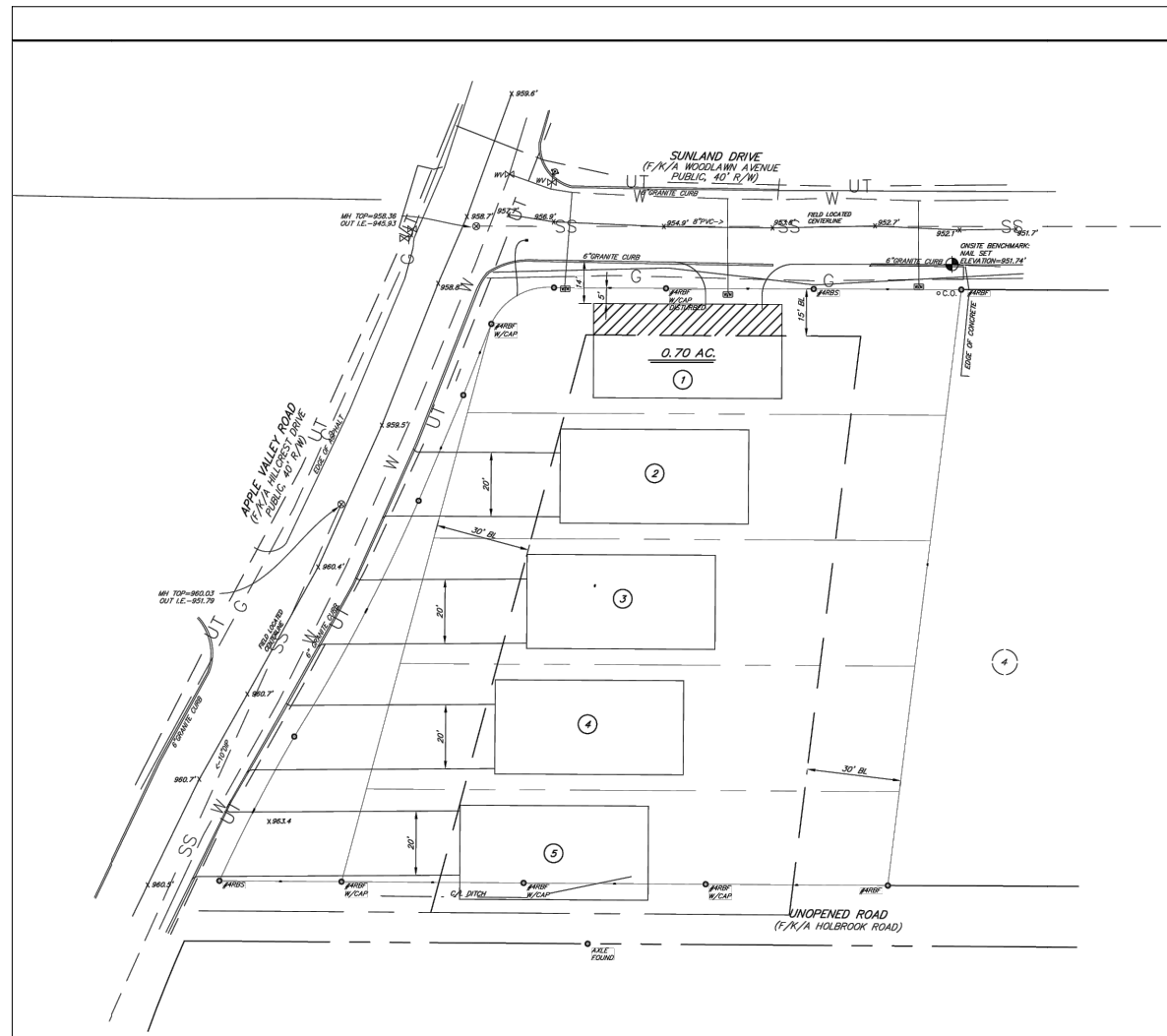


# SUNLAND PARK - Lot 4

## SITE PLAN



### GENERAL NOTES:

1. CONTRACTORS SHALL VERIFY ALL CONDITIONS AND DIMENSIONS AT SITE BEFORE CONSTRUCTION. ANY DISCREPANCIES SHALL BE REPORTED TO THE BUILDER FOR JUSTIFICATION AND/OR CORRECTION BEFORE CONTINUING WITH WORK. CONTRACTORS SHALL ASSUME RESPONSIBILITY FOR ERRORS THAT ARE NOT REPORTED TO THE BUILDER.
2. ALL WORK SHALL BE PERFORMED IN ACCORDANCE WITH ALL APPLICABLE NATIONAL, STATE, AND LOCAL CODES, REGULATIONS, AND FHA/VA MPS.
3. ALL DIMENSIONS SHOULD BE READ OR CALCULATED AND NEVER SCALED.
4. ALL FOOTINGS TO BE BELOW FROST LINE (SEE LOCAL CODE) AND MUST REST ON UNDISTURBED SOIL CAPABLE OF HANDLING THE BUILDING LOAD. CONSULT LOCAL ENGINEER FOR PROPER FOOTING AND REINFORCING SIZES.
5. CONTRACTOR SHALL INSURE COMPATIBILITY OF THE BUILDING WITH ALL SITE REQUIREMENTS.
6. IF BACKFILL EXCEEDS 4' AGAINST ANY FOUNDATION WALL, REINFORCE AS PER CODE.
7. ALL WOOD, CONCRETE, AND STEEL STRUCTURAL MEMBERS SHALL BE OF A GOOD GRADE AND QUALITY AND MEET ALL NATIONAL, STATE, AND LOCAL BUILDING CODES WHERE APPLICABLE.
8. THE CONTRACTOR IS RESPONSIBLE FOR ADJUSTING AND VERIFYING ALL STRUCTURAL DETAILS AND CONDITIONS TO MEET ALL LOCAL CODES TO INSURE A QUALITY AND SAFE STRUCTURE.

### DESIGNED IN COMPLIANCE WITH:

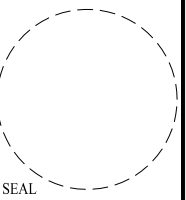
IRC 2018 Edition with GA Amendments (2020)  
 IFC 2018 Edition with GA Amendments (2020)  
 IPC 2018 Edition with GA Amendments (2020)  
 IMC 2018 Edition with GA Amendments (2020)  
 IFGC 2015 Edition with GA Amendments (2020)  
 ISPSC 2018 Edition with GA Amendments (2020)  
 NFPA 101 Life Safety Code 2018 Edition  
 NEC National Electric Code, 2020 Edition

## INDEX

SHEET	CONTENT
C1-0	COVER SHEET
A1-0	BASEMENT FLOOR PLAN
A1-1	FIRST FLOOR PLAN
A1-2	SECOND FLOOR PLAN
A2-0	FRONT ELEVATION
A2-1	LEFT ELEVATION
A2-2	RIGHT ELEVATION
A2-3	REAR ELEVATION & ROOF PLAN
D1	STANDARD DETAILS I
D2	STANDARD DETAILS II
D3	STANDARD DETAILS III
D4	STANDARD DETAILS IV



ISSUE DATE: 7/29/22  
FOR DESIGN



Harrison Homes  
 www.HarrisonAtl.com  
 404-965-7114  
 1954 Airport Road, Suite 242  
 Chamblee, GA 30341  
 Harrison Homes provides relationship-driven experiences culminating in timeless designs built with structural integrity and premium finishes.

These drawings are the property of Harrison Homes and are not to be utilized for construction, or copied in part or in whole, without permission from the builder.

SUNLAND PARK - LOT 4

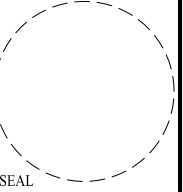
COVER SHEET

Last Saved By:  
Jason 9/26/2023

SHEET  
C1-0



ISSUE DATE: 7/29/22  
FOR DESIGN



Harrison Homes  
www.HarrisonAtl.com  
404-965-7114  
1954 Airport Road, Suite 242  
Chamblee, GA 30341

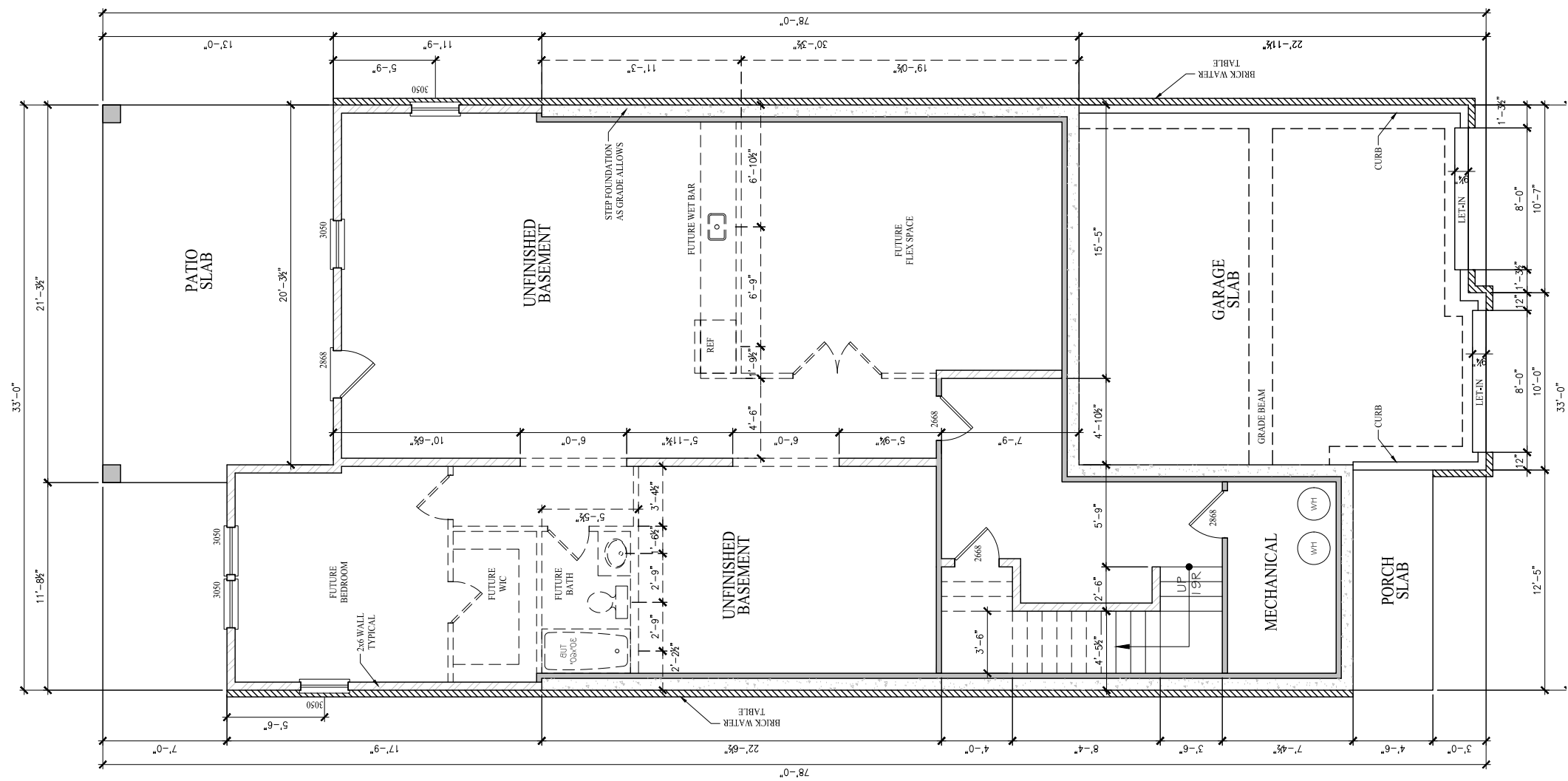
Harrison Homes provides relationship-driven experiences culminating in timeless designs built with structural integrity and premium finishes.

These drawings are the property of Harrison Homes and are not to be utilized for construction, or copied in part or in whole, without permission from the builder.

SUNLAND PARK - LOT 4  
BASEMENT FLOOR PLAN

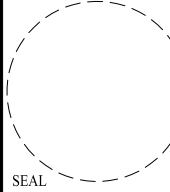
Last Saved By:  
Jason 9/26/2023

SHEET  
A1-0



### BASEMENT FLOOR PLAN

SCALE: 1/8" = 1'-0" (11"x17" SHEET SIZE)  
SCALE: 1/4" = 1'-0" (24"x36" SHEET SIZE)

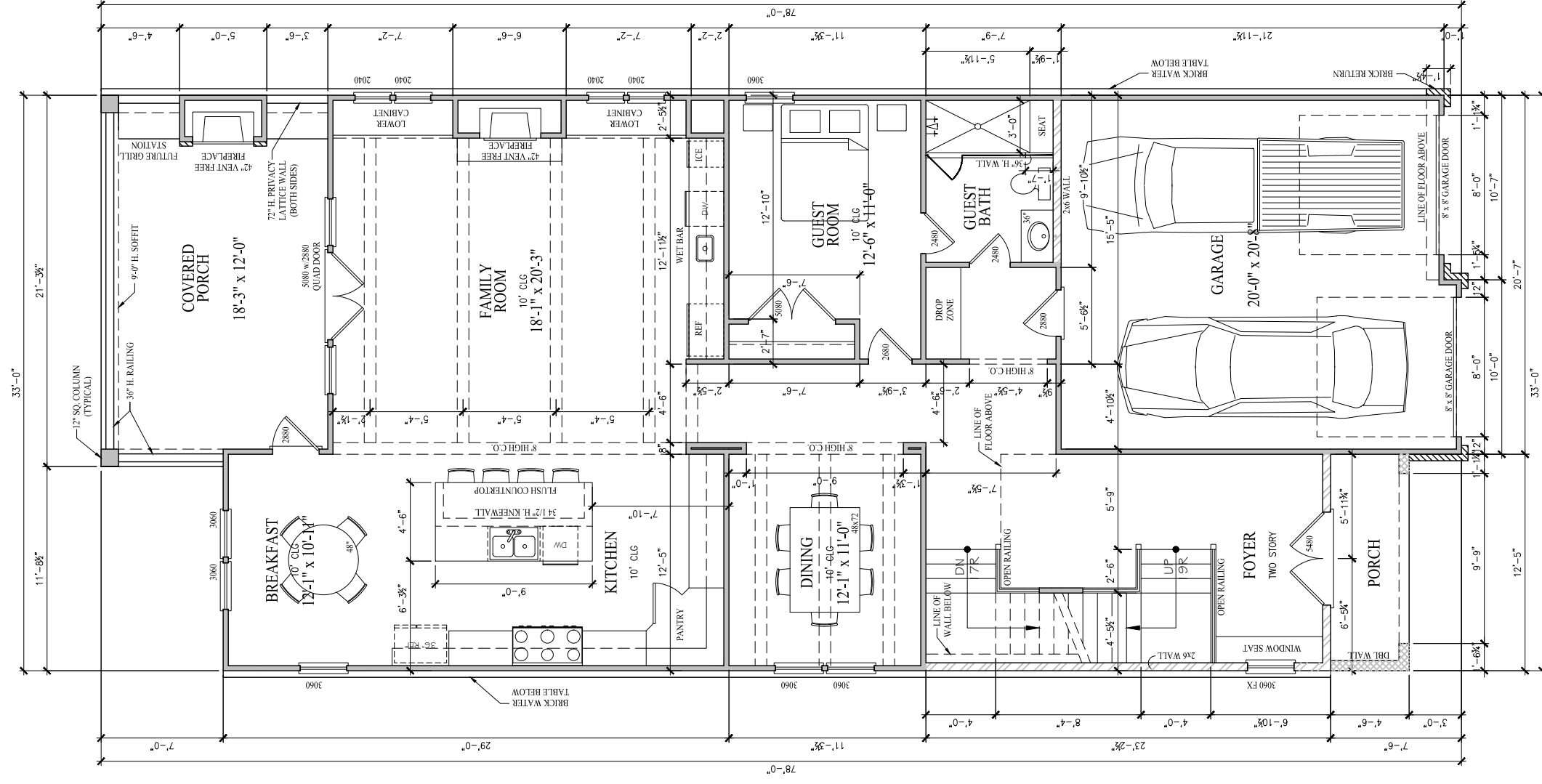


**SUNLAND PARK - LOT 4**

FIRST FLOOR PLAN

Last Saved By:  
Jason 9/26/2023

SHEET  
**A1-1**



**LOT 4**  
5 BED, 4 BATH

SQUARE FOOTAGES	
FINISHED BASEMENT	333
FIRST FLOOR	1660
SECOND FLOOR	2114
TOTAL (HEATED)	3774
UNFINISHED BASEMENT	1327
GARAGE	458
FRONT STOOP	56
COVERED PORCH	271

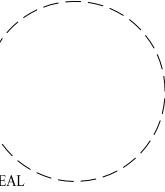
**FIRST FLOOR PLAN**

SCALE: 1/8" = 1'-0" (11"x17" SHEET SIZE)

SCALE: 1/4" = 1'-0" (24"x36" SHEET SIZE)



ISSUE DATE: 7/29/22  
FOR DESIGN



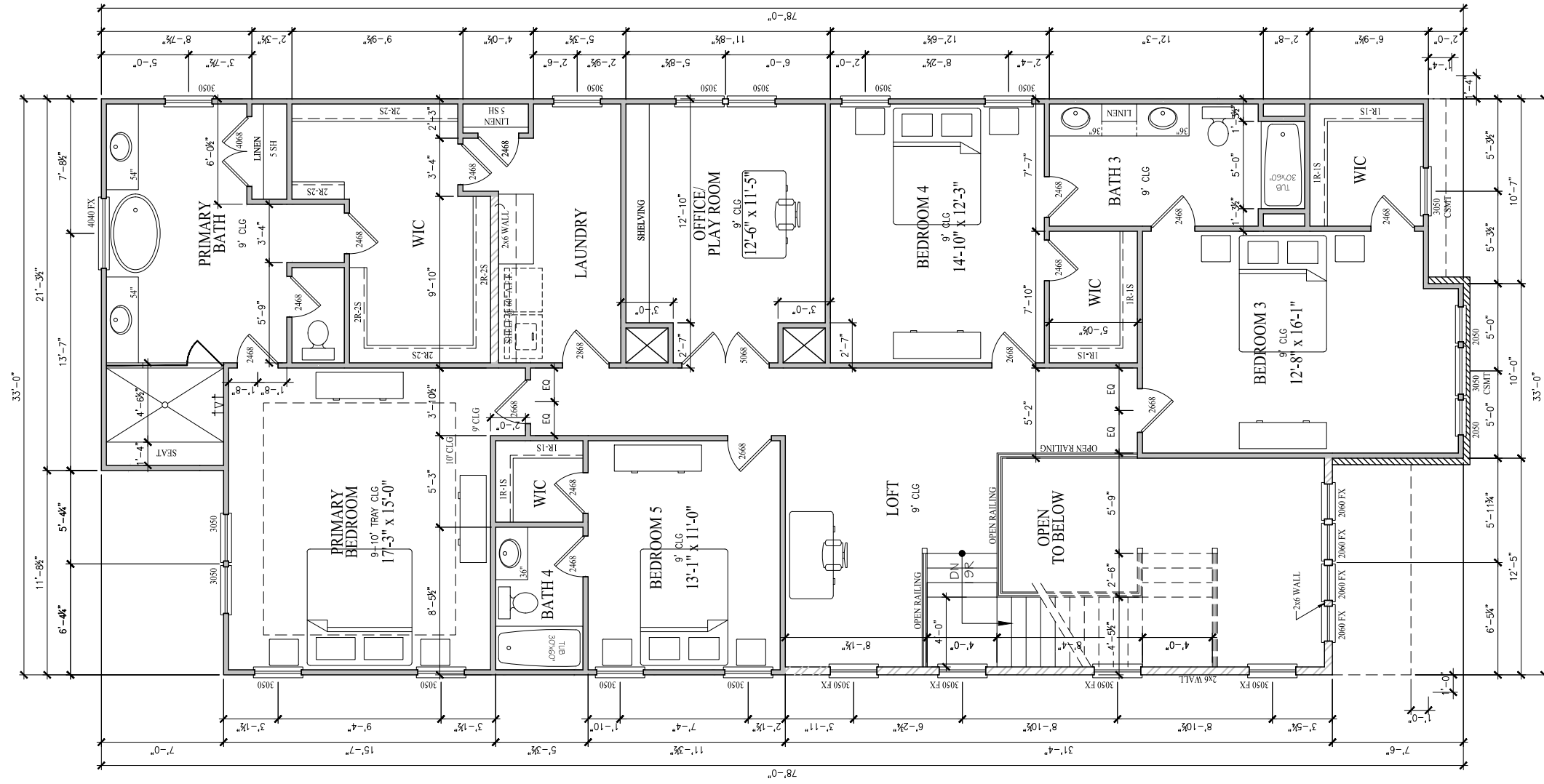
Harrison Homes  
www.HarrisonAtl.com  
404-965-7114  
1954 Airport Road, Suite 242  
Chamblee, GA 30341

These drawings are the property of Harrison Homes and are not to be utilized for construction, or copied in part or in whole, without permission from the builder.

SUNLAND PARK - LOT 4  
SECOND FLOOR PLAN

Last Saved By:  
Jason 9/26/2023

SHEET  
A1-2



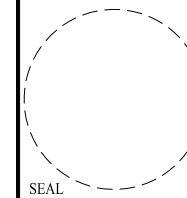
### SECOND FLOOR PLAN

SCALE: 1/8" = 1'-0" (11"x17" SHEET SIZE)  
SCALE: 1/4" = 1'-0" (24"x36" SHEET SIZE)



HARRISON  
HOMES

ISSUE DATE: 7/29/22  
FOR DESIGN



Harrison Homes  
www.HarrisonAtl.com  
404-965-7114  
1954 Airport Road, Suite 242  
Chamblee, GA 30341

Harrison Homes provides relationship-driven experiences culminating in timeless designs built with structural integrity and premium finishes.

These drawings are the property of Harrison Homes and are not to be utilized for construction, or copied in part or in whole, without permission from the builder.

SUNLAND PARK - LOT 4

FRONT ELEVATION

Last Saved By:  
Jason 9/26/2023

SHEET  
A2-0



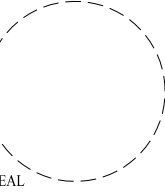
ALL DOORS TO BE STAIN GRADE  
ALL WINDOWS TO BE CASEMENT

### FRONT ELEVATION

SCALE: 3/16" = 1'-0" (11"x17" SHEET SIZE)  
SCALE: 3/8" = 1'-0" (24"x36" SHEET SIZE)



ISSUE DATE: 7/29/22  
FOR DESIGN



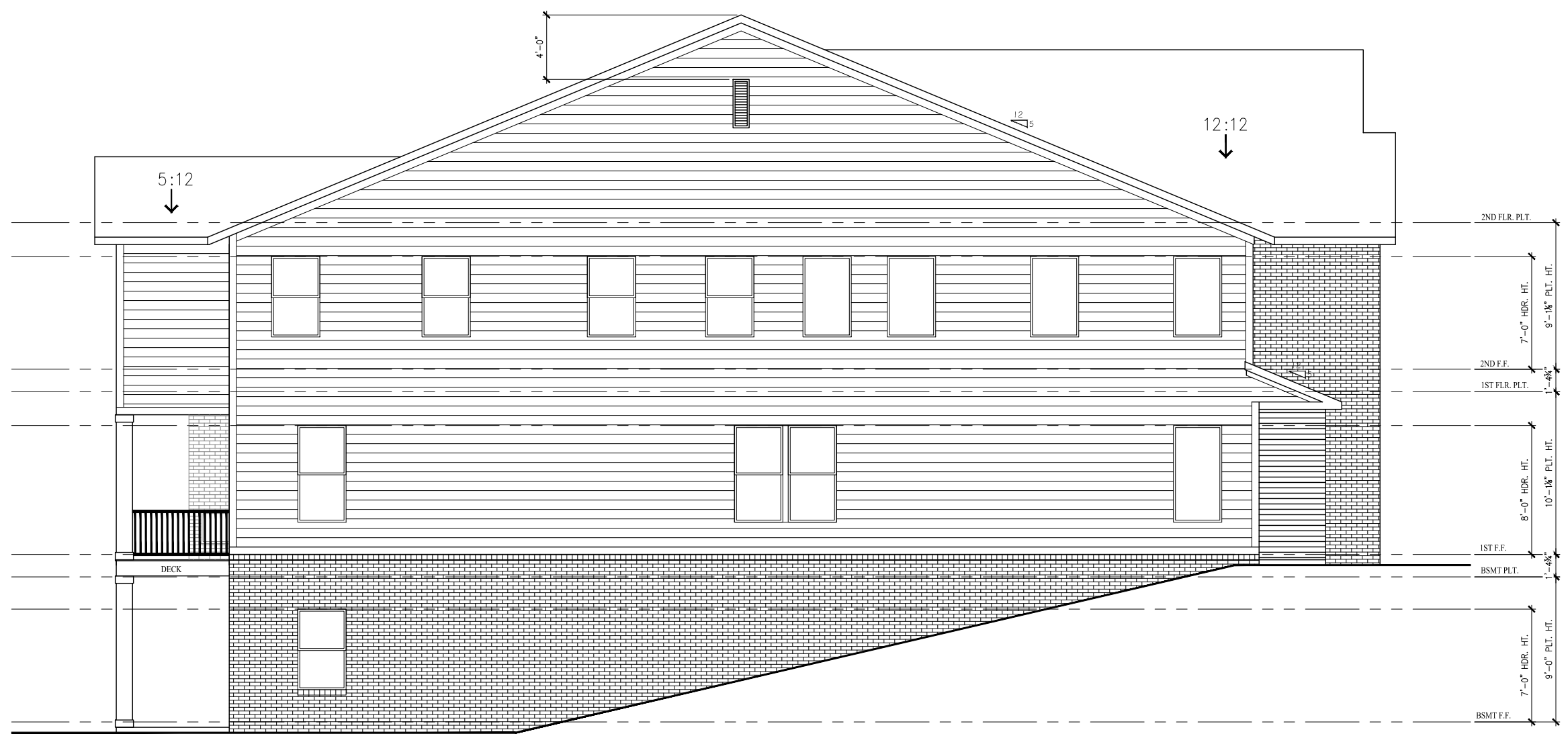
Harrison Homes  
www.HarrisonAtl.com  
404-965-7114  
1954 Airport Road, Suite 242  
Chamblee, GA 30341  
Harrison Homes provides relationship-driven experiences culminating in timeless designs built with structural integrity and premium finishes.

These drawings are the property of Harrison Homes and are not to be utilized for construction, or copied in part or in whole, without permission from the builder.

SUNLAND PARK - LOT 4  
LEFT ELEVATION

Last Saved By:  
Jason 9/26/2023

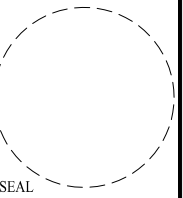
SHEET  
A2-1



**LEFT ELEVATION**  
SCALE: 1/8" = 1'-0" (11"x17" SHEET SIZE)  
SCALE: 1/4" = 1'-0" (24"x36" SHEET SIZE)



ISSUE DATE: 7/29/22  
FOR DESIGN



Harrison Homes  
www.HarrisonAtl.com  
404-965-7114  
1954 Airport Road, Suite 242  
Chamblee, GA 30341  
Harrison Homes provides relationship-driven experiences culminating in timeless designs built with structural integrity and premium finishes.

These drawings are the property of Harrison Homes and are not to be utilized for construction, or copied in part or in whole, without permission from the builder.

SUNLAND PARK - LOT 4  
RIGHT ELEVATION

Last Saved By:  
Jason 9/26/2023

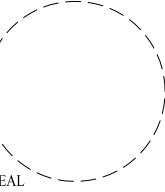
SHEET  
A2-2



**RIGHT ELEVATION**  
SCALE: 1/8" = 1'-0" (11"x17" SHEET SIZE)  
SCALE: 1/4" = 1'-0" (24"x36" SHEET SIZE)



ISSUE DATE: 7/29/22  
FOR DESIGN



Harrison Homes  
www.HarrisonAtl.com  
404-965-7114  
1954 Airport Road, Suite 242  
Chamblee, GA 30341

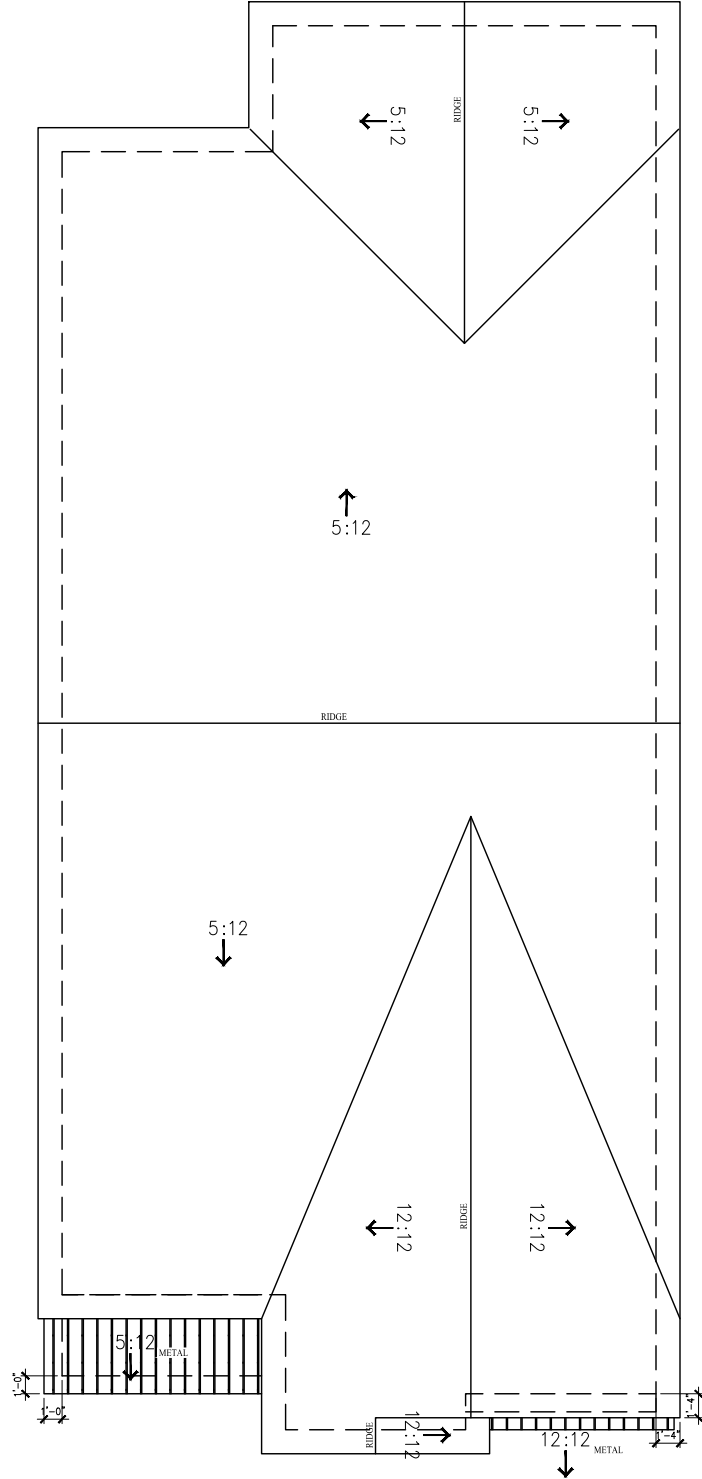
Harrison Homes provides relationship-driven experiences culminating in timeless designs built with structural integrity and premium finishes.

These drawings are the property of Harrison Homes and are not to be utilized for construction, or copied in part or in whole, without permission from the builder.

SUNLAND PARK - LOT 4  
REAR ELEVATION & ROOF PLAN

Last Saved By:  
Jason 9/26/2023

SHEET  
A2-3



**ROOF PLAN**  
SCALE: 3/32" = 1'-0" (11"x17" SHEET SIZE)  
SCALE: 3/16" = 1'-0" (24"x36" SHEET SIZE)

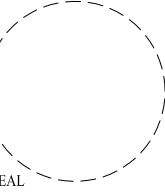


**REAR ELEVATION**  
SCALE: 1/8" = 1'-0" (11"x17" SHEET SIZE)  
SCALE: 1/4" = 1'-0" (24"x36" SHEET SIZE)





ISSUE DATE: 7/29/22  
FOR DESIGN



Harrison Homes  
www.HarrisonAtl.com  
404-965-7114  
1954 Airport Road, Suite 242  
Chamblee, GA 30341

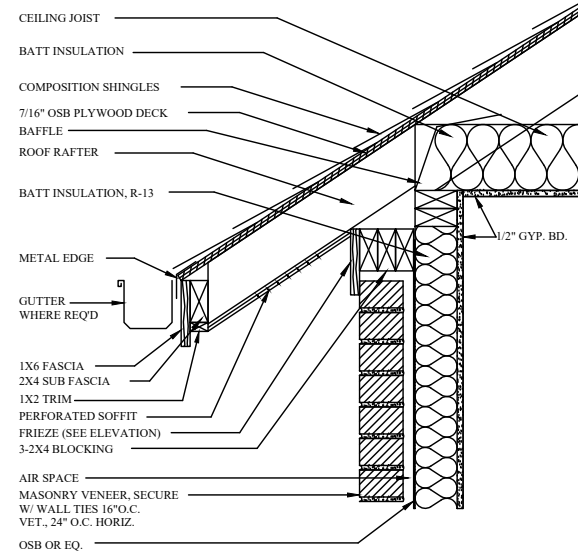
Harrison Homes provides relationship-driven experiences culminating in timeless designs built with structural integrity and premium finishes.

These drawings are the property of Harrison Homes and are not to be utilized for construction, or copied in part or in whole, without permission from the builder.

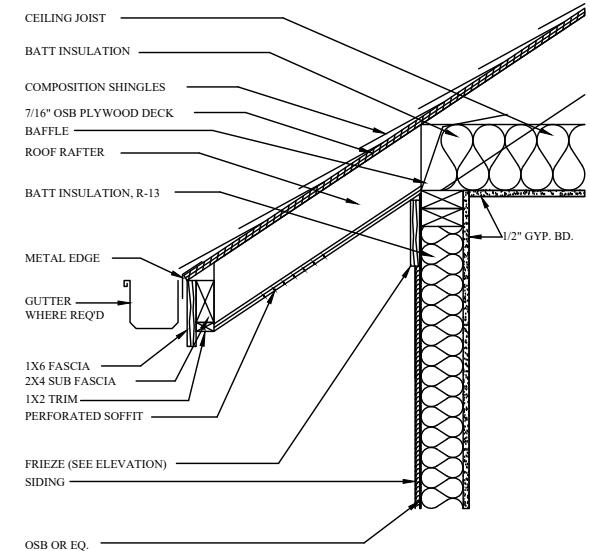
SUNLAND PARK - LOT 4  
TYPICAL DETAILS V

Last Saved By:  
Jason 9/26/2023

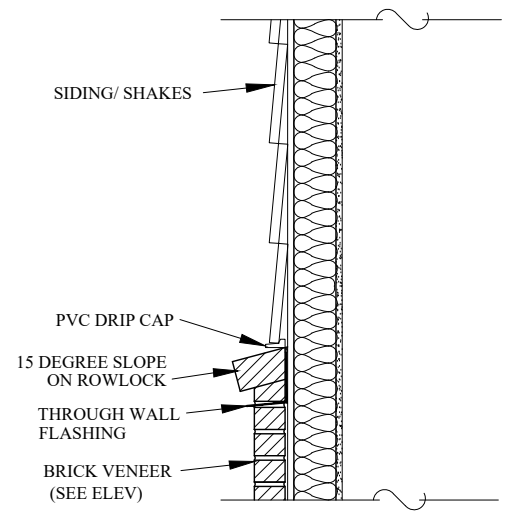
SHEET  
D1



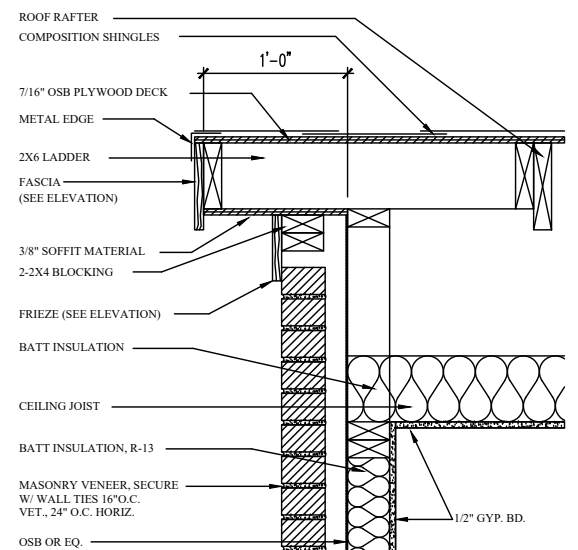
1 EAVE - MASONRY  
SCALE: 1 1/2" = 1'-0"



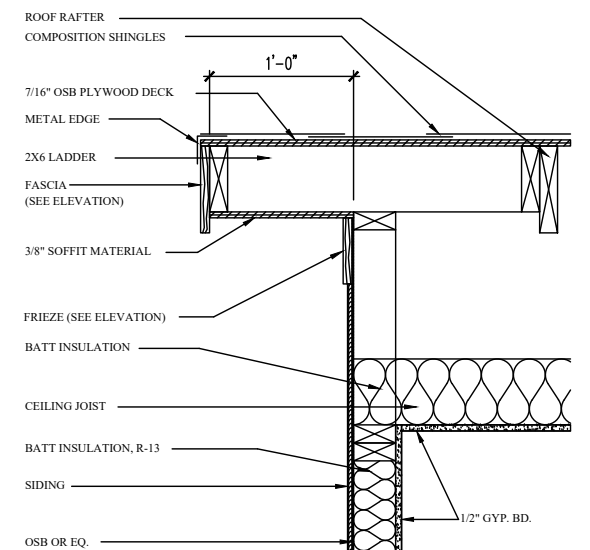
3 EAVE - SIDING  
SCALE: 1 1/2" = 1'-0"



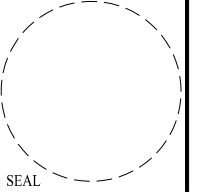
5 SIDING TO MASONRY DETAIL  
SCALE: 1 1/2" = 1'-0"



2 RAKE - MASONRY  
SCALE: 1 1/2" = 1'-0"



4 RAKE - SIDING  
SCALE: 1 1/2" = 1'-0"



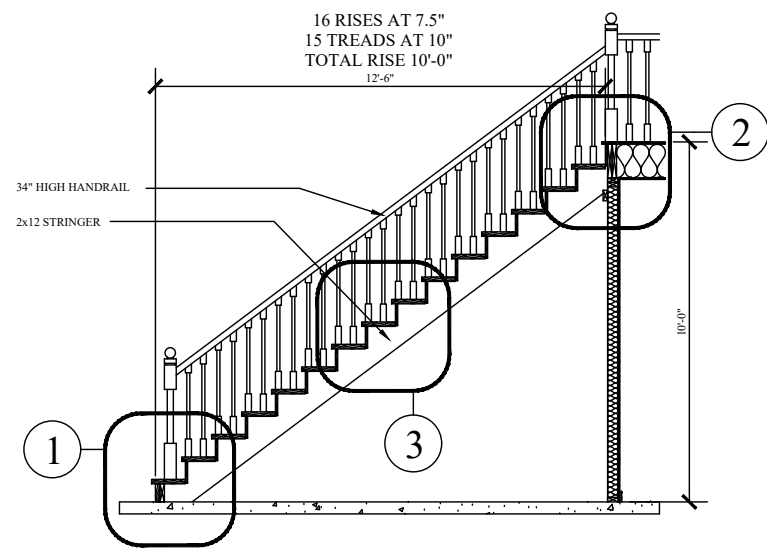
Harrison Homes  
www.HarrisonAtl.com  
404-965-7114  
1954 Airport Road, Suite 242  
Chamblee, GA 30341

Harrison Homes provides relationship-driven experiences culminating in timeless designs built with structural integrity and premium finishes.

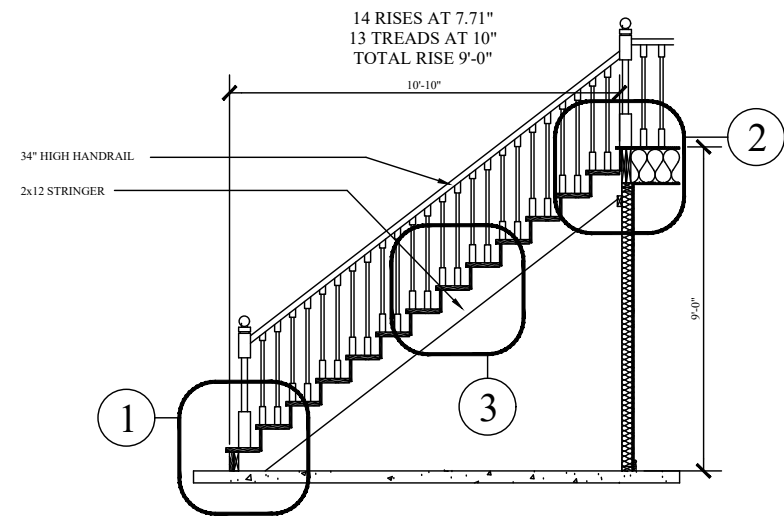
These drawings are the property of Harrison Homes and are not to be utilized for construction, or copied in part or in whole, without permission from the builder.

TYPICAL FLOOR PLAN NOTES.

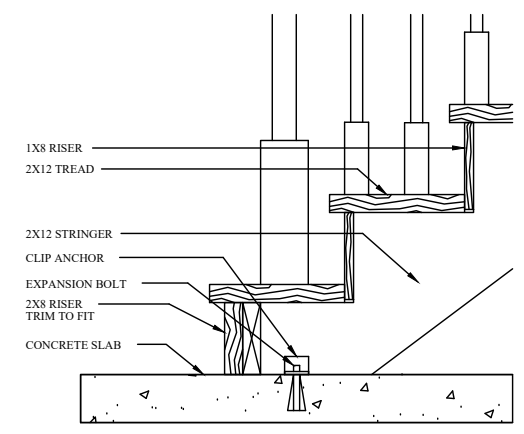
1. 5/8" fire rated sheet rock at all common living area was. and ceiling at garage.
2. 5/8" fire rated sheet rock beneath stairs when accessible for storage or living area.
3. 1 hour fire rated door at entry from garage.



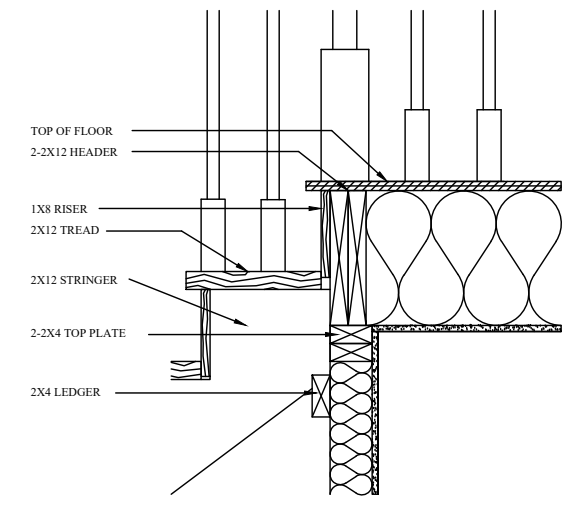
TYPICAL STAIR SECTION (10' CEILING)



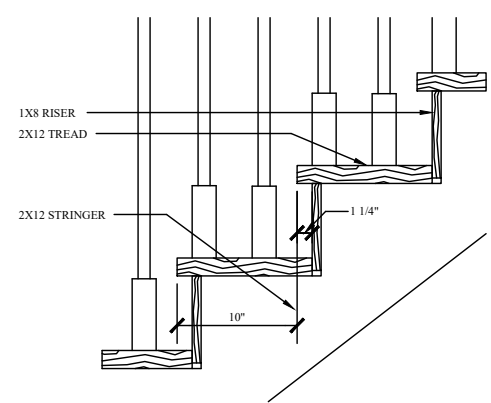
TYPICAL STAIR SECTION (9' CEILING)



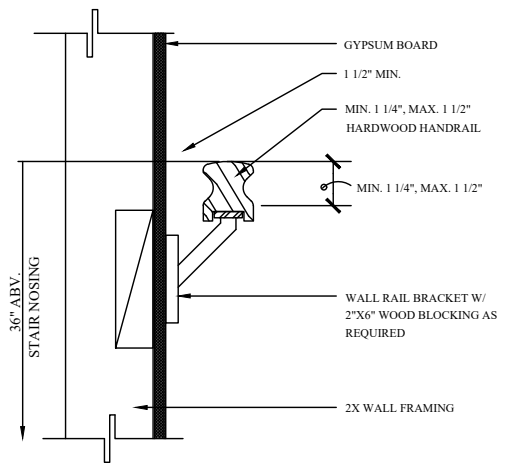
1 BOTTOM OF STAIRS



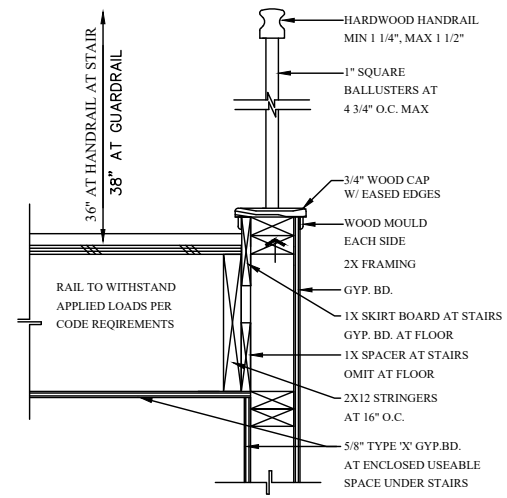
2 TOP OF STAIRS



2 TYPICAL TREAD



HANDRAIL AT WALL



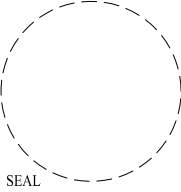
HANDRAIL

**SUNLAND PARK - LOT 4**

**TYPICAL DETAILS IV**

Last Saved By:  
Jason 9/26/2023

SHEET  
**D2**



Harrison Homes  
www.HarrisonAtl.com  
404-965-7114  
1954 Airport Road, Suite 242  
Chamblee, GA 30341

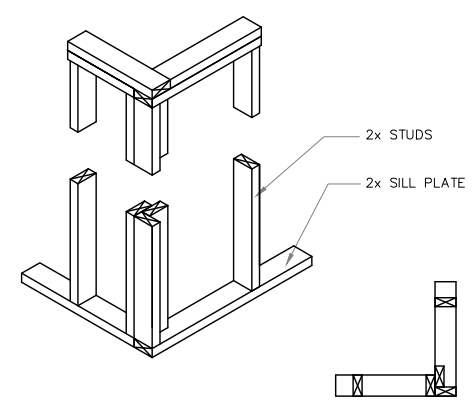
Harrison Homes provides relationship-driven experiences culminating in timeless designs built with structural integrity and premium finishes.

These drawings are the property of Harrison Homes and are not to be utilized for construction, or copied in part or in whole, without permission from the builder.

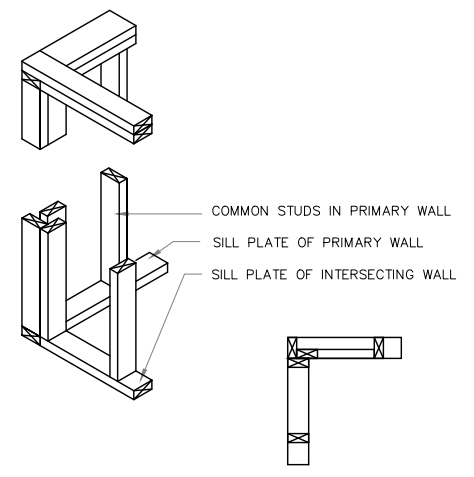
**SUNLAND PARK - LOT 4**  
**TYPICAL DETAILS III**

Last Saved By:  
Jason 9/26/2023

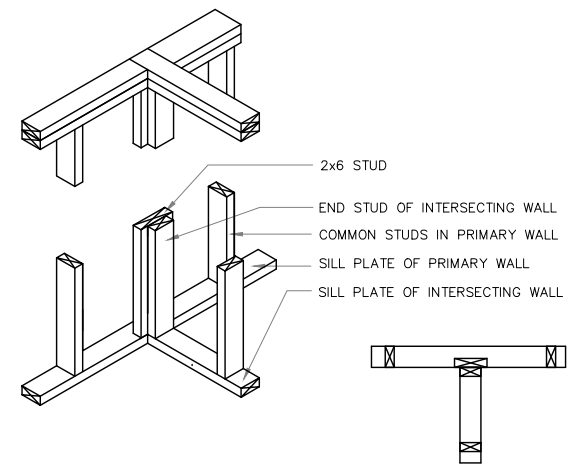
SHEET  
**D3**



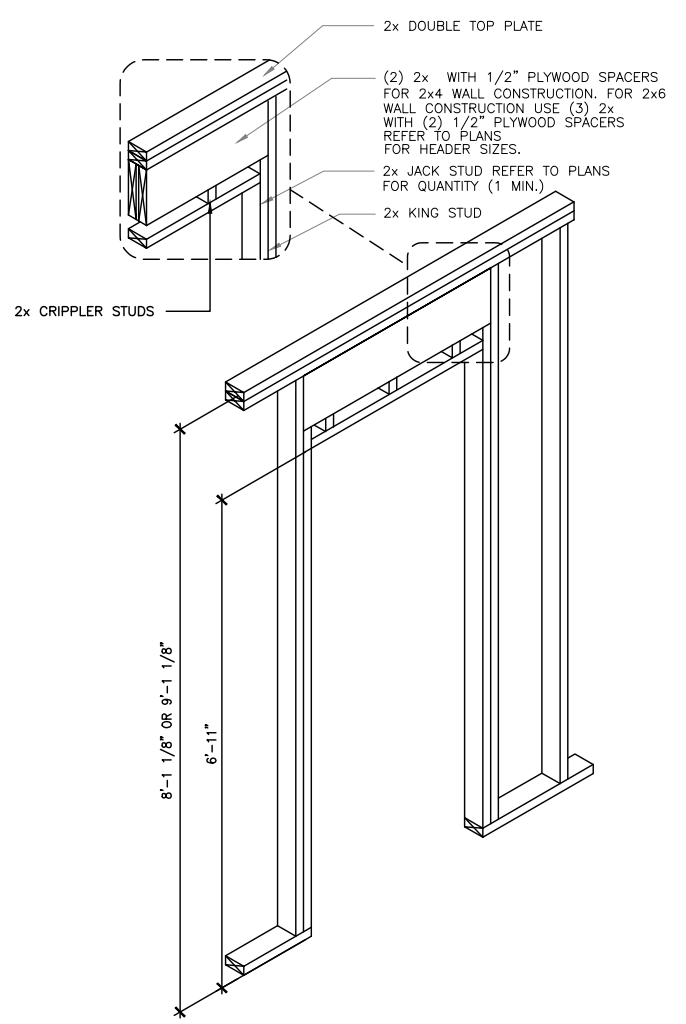
1 EXTERIOR CORNER FRAMING DETAIL



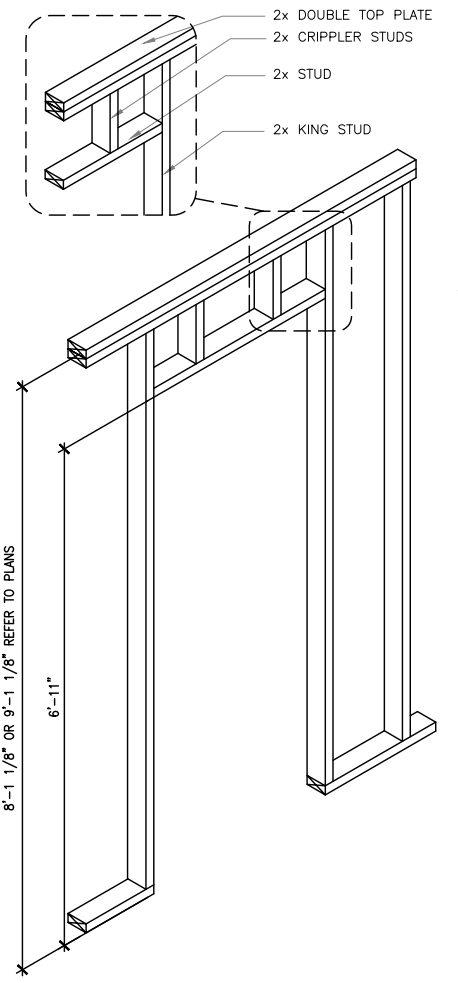
2 INTERIOR CORNER FRAMING DETAIL



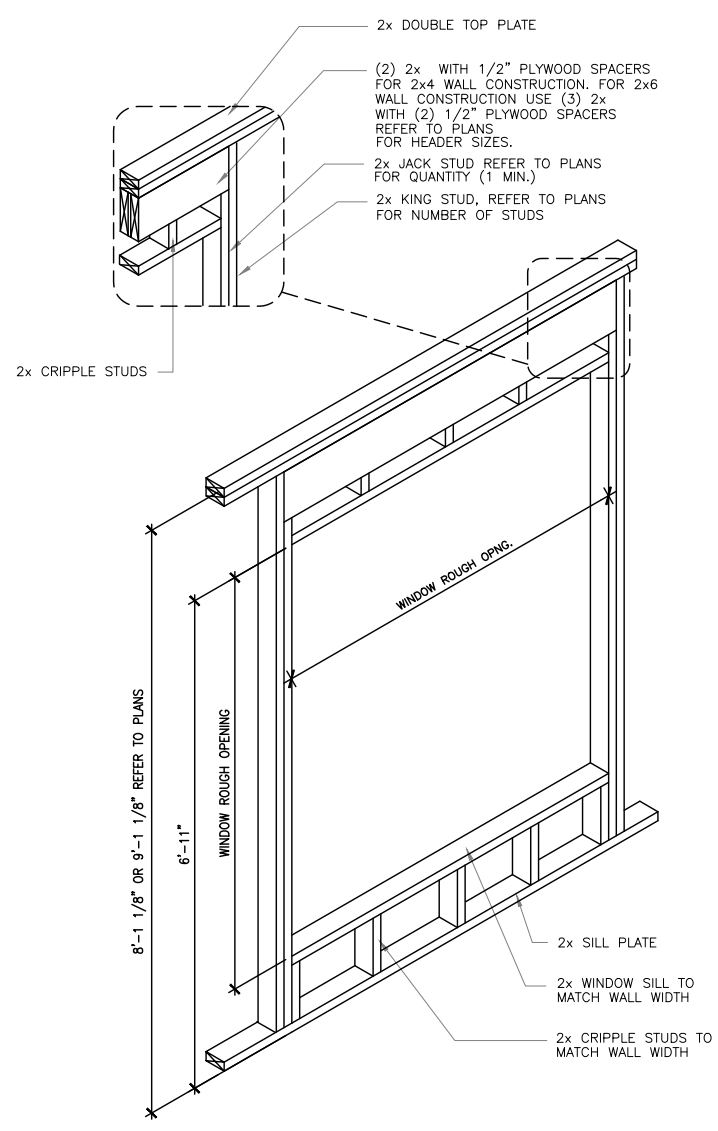
3 INT. & EXT. T-INTERSECTION FRAMING DETAIL



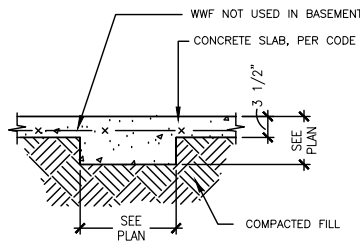
4 LOAD BEARING & EXTERIOR DOOR



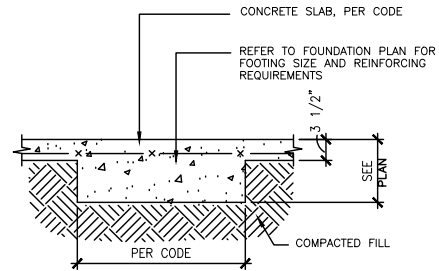
5 NON-BEARING INTERIOR DOOR HEADER



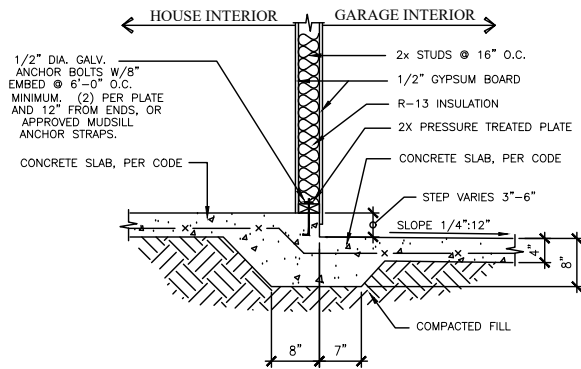
6 LOAD BEARING



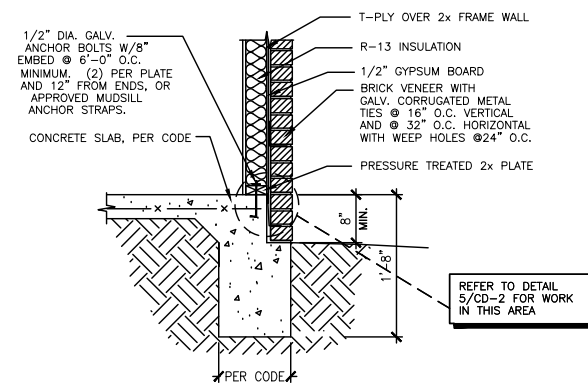
1 THICKENED FOOTING  
SCALE: 3/4" = 1'-0"



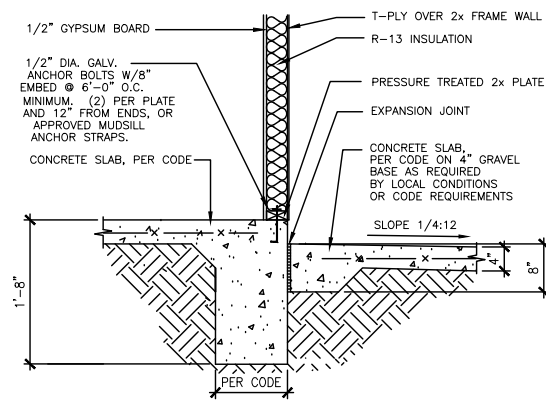
2 PAD FOOTING AT POINT LOAD  
SCALE: 3/4" = 1'-0"



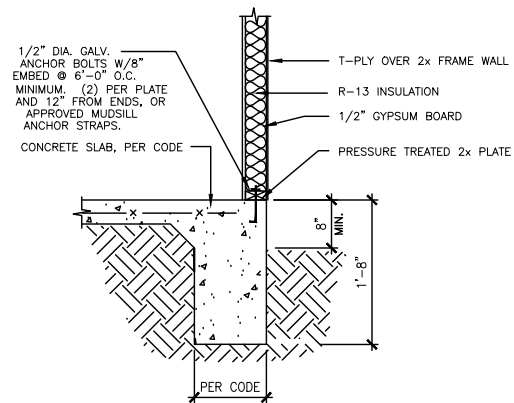
3 MONOLITHIC INTERIOR GARAGE FOOTING  
SCALE: 3/4" = 1'-0"



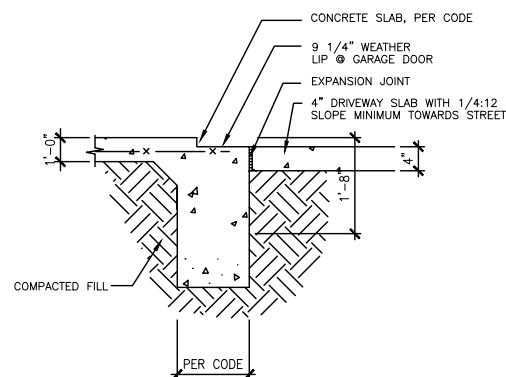
4 MONOLITHIC MASONRY PERIM. SLAB LEDGE  
SCALE: 3/4" = 1'-0"



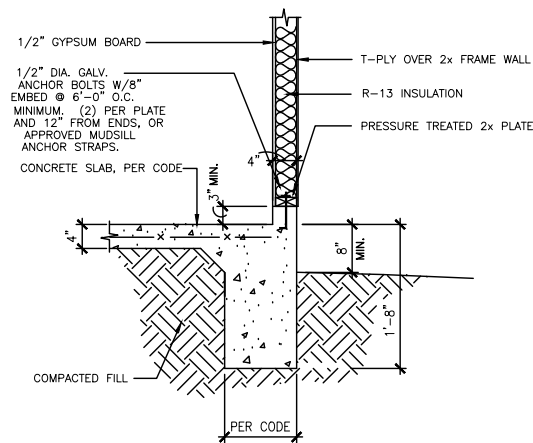
5 MONOLITHIC FOOTING @ PORCH/PATIO  
SCALE: 3/4" = 1'-0"



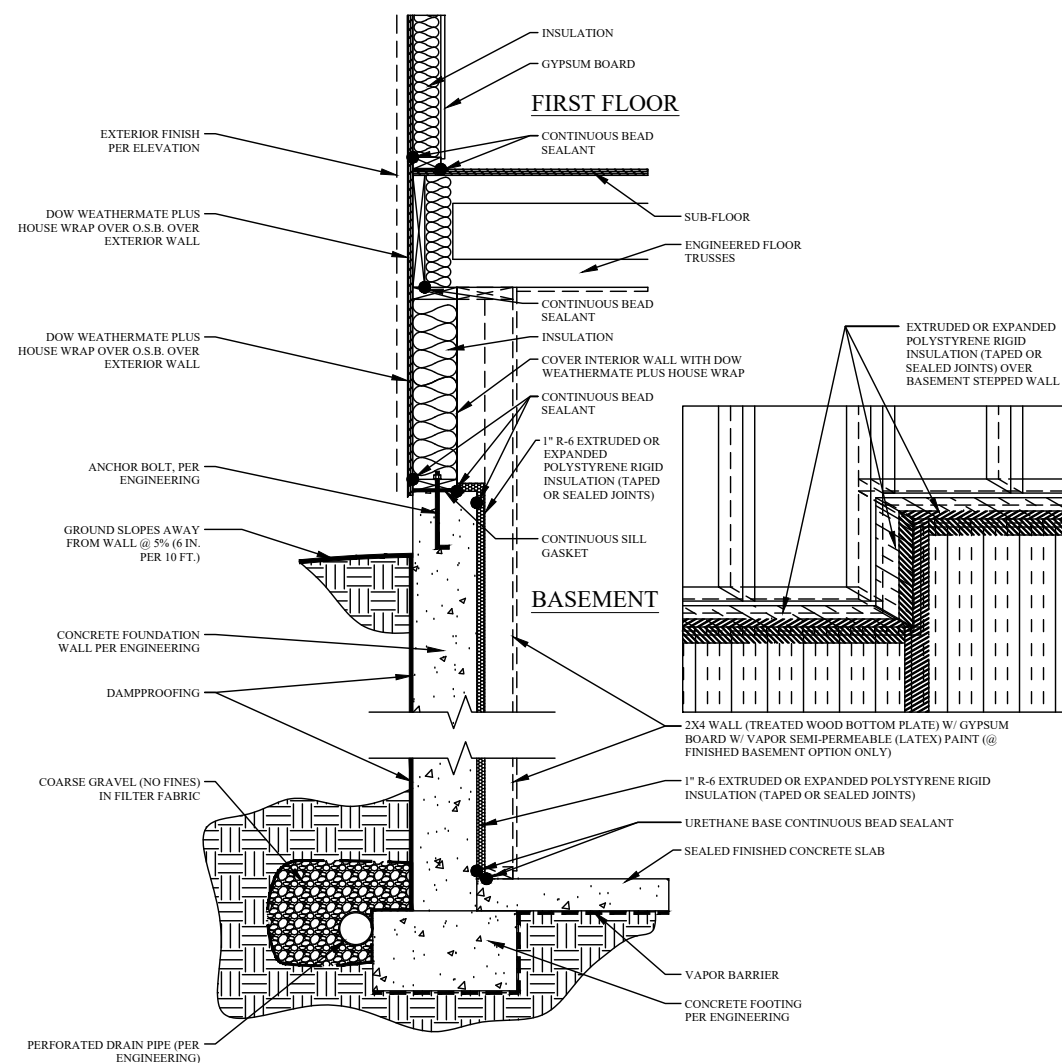
6 MONOLITHIC PERIMETER SLAB FOOTING  
SCALE: 3/4" = 1'-0"



7 MONOLITHIC PERIM. FTG. @ GARAGE DOOR  
SCALE: 3/4" = 1'-0"



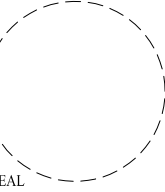
8 MONOLITHIC PERIM SLAB FTG. @ GARAGE  
SCALE: 3/4" = 1'-0"



9 FOUNDATION WALL DETAIL  
SCALE: 3/4" = 1'-0"



ISSUE DATE: 7/29/22  
FOR DESIGN



Harrison Homes  
www.HarrisonAtl.com  
404-965-7114  
1954 Airport Road, Suite 242  
Chamblee, GA 30341

Harrison Homes provides relationship-driven experiences culminating in timeless designs built with structural integrity and premium finishes.

SUNLAND PARK - LOT 4  
TYPICAL DETAILS II

Last Saved By:  
Jason 9/26/2023

SHEET  
D4